

Ideco Group

Installation Guide For Legic RFID into SAGEM Morpho Access (IMLI)



Issue 1.10
2 August 2006

Overview

The installation of the MLI (MorphoAccess Legic Interface) module in a Sagem MA200 consists of physical mounting the unit and updating the hardware and software configurations. The MLI is mounted under the fingerprint sensor inside the enclosure. Electrically the module is connected via a small connector to the MorphoAccess main PCB. Note that the RFID antenna is integrated into the MLI module.

Installation procedure:

- Open the MorphoAccess reader.
- Disconnect Pass/fail LED, Optical interface and Main connectors (see Figure 1).
- Remove the 4 mounting screws from the MorphoAccess PCB (see Figure 1).
- Remove the MorphoAccess PCB (see Figure 1).
- Position the MLI in the enclosure with strips of double sided tape (see Figure 2).
- Mount MorphoAccess PCB back into enclosure with 4 mounting screws.
- Attach MLI Interface cable to MLI Interface connector on MorphoAccess PCB (see Figure 1).
- Attach Pass/fail, Optical interface connectors.
- Close the MorphoAccess reader.

With the MLI unit mounted proceed with the hardware and software configuration as indicated below. It is important to adhere to this setup in order for the device to operate correctly.

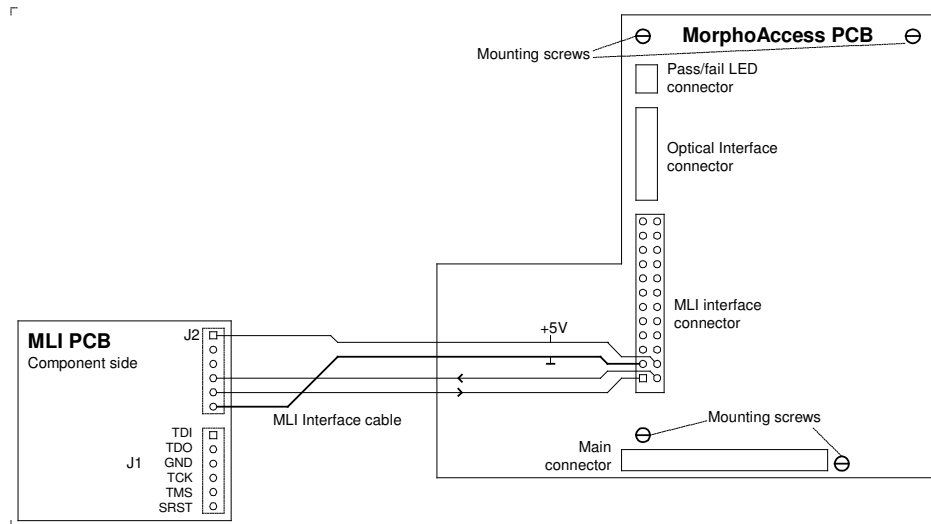


Figure 1 MLI to MorphoAccess connection

Hardware configuration.

With the MLI mounted the MorphoAccess must be configured in order to recognize the MLI. The hardware straps on the MorphoAccess PCB must be configured according the jumper configuration setting of Figure 2. Make sure the device is switched off before changing any of the straps.

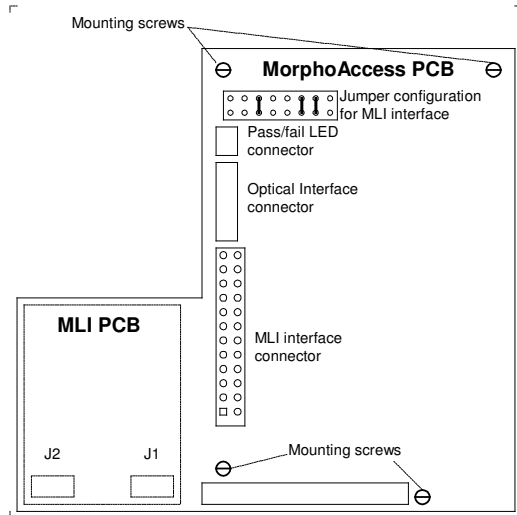


Figure 2 MLI mounting and jumper configuration.

Software configuration

Operation of the MLI depends on the selected mode of operation of MorphoAccess. For a comprehensive overview of the available modes refer to the MorphoAccess Installation guide. A brief description is given in Table 1 to allow for the correct mode to be selected. The mode selection is done via the MorphoAccess keypad interface.

Table 1 MorphoAccess modes of operation.

MorphoAccess modes of operation		
Mode	Description	MLI required
0	Local identification. The captured fingerprint template is looked up in the database stored in the MorphoAccess. This mode does not require a keypad code, RFID card or magnetic card.	No
1	Authentication with ID receipt via the Wiegand interface (e.g. magnetic card reader). The ID is used as a reference to a template stored in the MorphoAccess database.	No
2	Proxy mode. This mode allows controlling the MorphoAccess remotely via a RS232 or Ethernet (TCP/IP) interface.	No
3	Authentication with Legic RFID card. This mode does not use the MorphoAccess local database. The fingerprint minutiae of 2 fingers, name and ID are stored on the Legic RFID card.	Yes
4	Authentication with ID receipt via Legic RFID card. The ID is used as a reference to a template stored in the MorphoAccess database. Name and ID are stored on the Legic RFID card.	Yes
5	This mode is a combination of modes 0 and 3. If a Legic card is presented the fingerprint minutiae (2 fingers), name and ID are passed onto the MorphoAccess for authentication. If a finger is placed without a Legic card the MorphoAccess performs a local identification -according mode 0.	Yes
6	Authentication with ID receipt via the MorphoAccess keypad. The ID is used as a reference to a template stored in the MorphoAccess database.	No

For the MLI to be functional the MorphoAccess must be configured for mode 3, 4, or 5. The configuration is done via the keypad interface. The sequence of events is listed in Table 2.

Table 2 MorphoAccess mode selection.

Keypad sequence for MorphoAccess mode selection		
Step	Key strokes	Response
1	# * #	Administrator Identification Enter Pin: OK EXIT
2	12345 + OK button (Default pin code is 12345)	Administrator mode Select a Command Please SYSTEM EXIT CL KEYS MORE
3	Select SYSTEM	Select your application ASYSTE MACCESS
4	Select ASYS TE	SYSTEM MENU, Enter password: Press (#) for correction OK CANCEL
5	12345 + OK button (Default password is 12345)	SYSTEM MENU CONFIG VERSION SER NB MORE
6	Select CONFIG	FILE: /cfg/ser0 PREV NEXT EXIT EDIT
7	Press NEXT button until FILE: /cfg/Maccess	FILE: /cfg/Maccess PREV NEXT EXIT EDIT
8	Press EDIT button	FILE: /cfg/Maccess Section: Relay PREV NEXT EXIT EDIT
9	Press NEXT button repeatedly until Section: Admin is displayed	FILE: /cfg/Maccess Section: Admin PREV NEXT EXIT EDIT
10	Press EDIT button	FILE: /cfg/Maccess Section: Admin Log File: 1 PREV NEXT EXIT EDIT
11	Press NEXT button repeatedly until Section: Mode: x (x = 0,1,2,3,4,5)	FILE: /cfg/Maccess Section: Admin Mode: x PREV NEXT EXIT EDIT
12	Press NEXT button repeatedly until Mode: 3 (or 4)	FILE: /cfg/Maccess Section: Admin Mode: 3 (or 4)
13	Press EDIT to change mode to 3 (PK) or 4 (IDENT)	File: /cfg/Maccess Admin Mode 4 (or 3)
14	Make change and press OK to exit	

With the correct mode of operation selected the MorphoAccess must be configured to look for the MLI interface. Enter the setup menu as indicated in Table 2 all the way up to step 8. Now press the NEXT button repeatedly until Section: **Contactless** is displayed. Next press the EDIT button to enter the options listed under this section. The NEXT and PREV buttons allow scrolling through the different options. To configure the MorpoAccess to recognize the MLI interface apply the settings as illustrated in Table 3.

Table 3 Contact less setup options

FILE: /cfg/Maccess Section: Contactless Reader type: 2 PREV NEXT EXIT EDIT
FILE: /cfg/Maccess Section: Contactless Keys Status: 255 PREV NEXT EXIT EDIT
FILE: /cfg/Maccess Section: Contactless ID offset: 0 PREV NEXT EXIT EDIT
FILE: /cfg/Maccess Section: Contactless ID size: 0 PREV NEXT EXIT EDIT
FILE: /cfg/Maccess Section: Contactless ID format: 0 PREV NEXT EXIT EDIT
FILE: /cfg/Maccess Section: Contactless Without DB mode: 2 PREV NEXT EXIT EDIT
FILE: /cfg/Maccess Section: Contactless Internal reader type: 1 PREV NEXT EXIT EDIT
FILE: /cfg/Maccess Section: Contactless B: 4 PREV NEXT EXIT EDIT
FILE: /cfg/Maccess Section: Contactless N: 28 PREV NEXT EXIT EDIT
FILE: /cfg/Maccess Section: Contactless C: 1 PREV NEXT EXIT EDIT