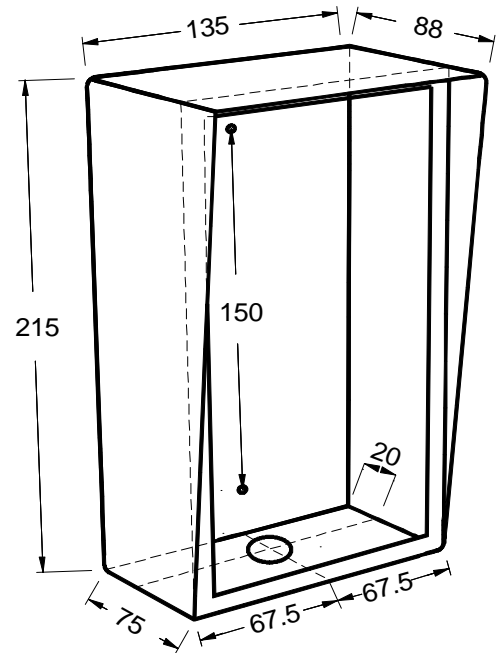
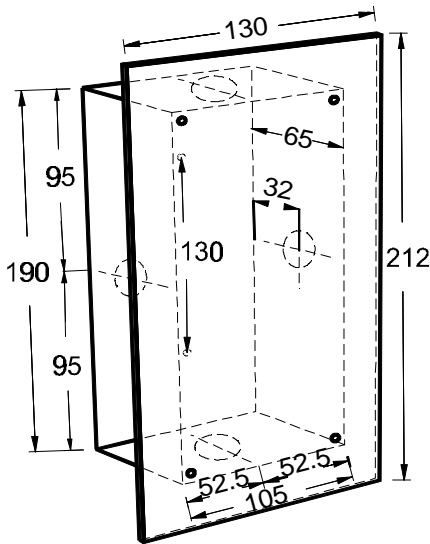


### Dimensions for size A/B surface & flush housings.

Flush Mount

### SIZE A

Surface Mount



Flush Mount

### SIZE B

Surface Mount

