

ET 562



4-Wire Intercom Module ET 562

The 4-wire Intercom module ET 562 has been developed for installation in existing housings or for construction of special Intercoms. Equipped with 4-wire technology, in a rugged housing with mounting tabs for easy installation.

Applications for this Intercom module are all kinds of call- / emergency call station, where the station is built in. Examples are elevator cabins, emergency call pillars, ticketing machines or barriers at entrances and exits.

ET 562

4-wire Intercom module with duplex controller incl. microphone, loudspeaker, rear cover and LED for indication of active station. For installation under panels, prepared for connection of external push buttons.

Technical Data – Benefits

TECHNICAL DATA

Keyboard:	Possibility of connecting buttons 0, 4, 5
Microphone:	Omnidirectional electret microphone for max. 7 m (23 ft) speaking distance
Loudspeaker:	Special membrane type for optimal sound quality sound pressure: 85 dB/1 W/1 m (3.28 ft), 50 Ohm
Display:	red LED
Frequency range:	200 – 12000 Hz
Operating temperature range:	-20° C bis +70° C (-4° F to 158° F)
Storage temperature range:	-20° C bis +70° C (-4° F to 158° F)
Relative humidity:	up to 95 %
Plug:	screw terminals
Cabling:	star feed, 4-wire, twisted pair
Power supply:	from central
Measurements:	87.5 x 109 x 40 mm (3.45 x 4.29 x 1.58 in)
Weight incl. package:	162 g (0.4 lbs)

BENEFITS

- Rugged housing with three mounting tabs
- Microphone and loudspeaker built in
- Integrated LED for indication of conversation
- Connection of up to 3 buttons via plugable screw terminals
- Duplex controller for high volume despite small distance between microphone and loudspeaker

LINE LENGTH

Diameter: [mm]	0.4	0.5	0.6	0.8	1.0
AWG:	26	24	22	20	18
Line length: [m]	650	1000	1500	2600	4200
[ft]	2133	3281	4922	8531	13780

All data about line lengths corresponds to a loudspeaker attenuation of approx. 9 dB and a microphone attenuation of approx. 3 dB.

EXTENT OF SUPPLY

1 Intercom module including short reference

SYSTEM REQUIREMENTS

GE 100 with G1-GET-4, GE 200 with G2-GET-4 or GE 700 with G7-GET-4



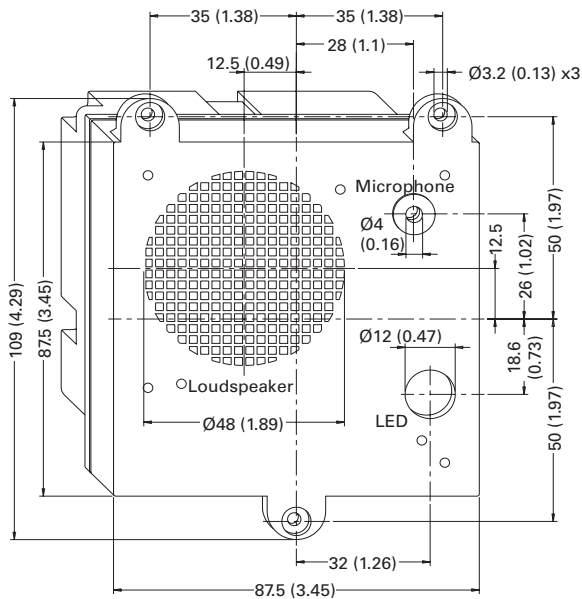
Installation

PRECAUTIONS

- When opening the stations ESD precautions must be observed.
- The stations may be opened by authorised service engineers only.

MEASUREMENTS

Measuring units: mm (inch), not scale!



MOUNTING INSTRUCTIONS

- Do not expose the station to extreme temperature (under -20° C or above +70° C / -4° F to 158° F).
- Please take care that the front panel of the ET 562 is attached to the mounting plate without margin. Otherwise an “acoustic short circuit” occurs, which can considerably influence the sound of the ET 562.

CONNECTION

