

Disabled Evacuation & Escape Bed Intercom - FF300

Lift
Solutions



- Disabled Evacuation Intercom complying fully to BS 5588 Part 8 and DHS FPN3 Escape Bed Facilities
- Lift fault condition reporting
- Very high quality speech
- Stations with integral evacuation switch behind lockable panel
- Vandal resistant FES and landing stations with stainless steel fascia
- Unlimited number of landing stations
- Major system test facilities without activating system
- Fully active cable monitoring for short and open circuits
- Simple to install
- Stand-by-power supply (UPS) fully supports system for up to 6 hours.

The FF300 Disabled Evacuation Lift intercom system was developed in accordance with BS5588 Part 8 and is fully compliant with this standard. In its simplest form, it comprises a Final Exit Storey (FES) Station, a Lift Car station and a number of landing stations. Optionally, an MCR station may be fitted.

During normal everyday conditions, all stations remain inactive unless alternative facilities, such as Trapped Passenger, Engineers' Intercom or general assistance calls are required.

The system is activated at the FES by operating the integral Evacuation switch located behind a removable plate which is opened with a standard EN81 Euro Key. This puts the lift into Evacuation Mode and activates all intercom stations.

The landing stations are now able to register a call at the FES station by pressing the 'Push for Help' button. Even if all of the Landing Station buttons are pressed at the same time, every call will register at the FES station. A red LED glows to indicate that the Call has registered at the FES station. When the FES station answers, the caller speaks hands free. The call is cleared from the FES station.

The FES station has a number of buttons and lamps (LEDs). Each is dedicated to a specific station, thus clearly identifying the calling stations. The FES station has full control of the order in which the calls are answered.

A flashing LED (with or without buzzer) denotes a call waiting to be answered. A steadily glowing LED indicates the current conversation partner.

Conversations are handsfree from all stations except the FES, which operates on a 'press to talk', 'release to listen' manner.

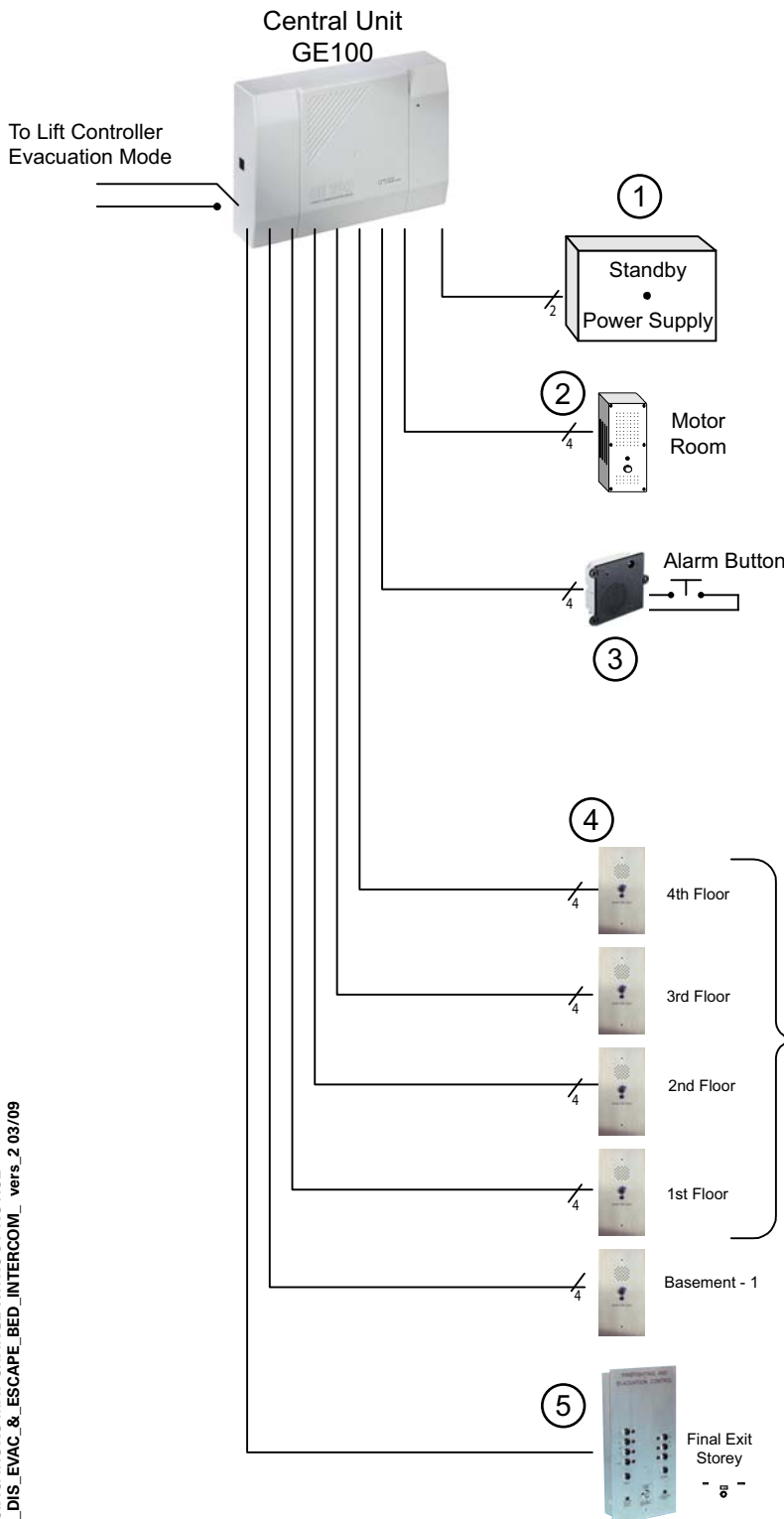
Certain system tests can be carried out without activating Evacuation Mode. These tests are very comprehensive and prove that almost all of the entire system's elements are functional.

Top of Car and Pit stations can be added to meet the requirements of the EN81 Lift Directive.

Disabled Evacuation & Escape Bed Intercom

- FF300

Lift Solutions



- Multiple FES Master stations for additional locations, even a duplicate within the lift car
- Special finishes available including brass and bronze
- Security / Reception intercom Master station for normal Trapped Passenger and everyday assistance
- Top of Car, Pit and Motor Room Stations for use by service personnel as engineers intercom

①

UPS100 Uninterruptable Power Supply

Supports full system operation for up to 6 hours.
Dimensions: H 319 mm x W 257 mm x D 86 mm

②

EF151 MCR Station

This is a single button station for surface mounting onto the side of the lift controller or suitable wall location within the motor room
Dimensions: H 177 mm x W 75 mm x D 74 mm

③

Lift Car Module ET562

Complete station for mounting behind the COP grille. The station includes a duplex controller which provides for louder, handsfree speech. If Trapped Passenger facility is used, a normally open contact of the COP Alarm button connects directly to the station and activates a call.
Dimensions: H 109 mm x W 88 mm x D 40 mm

④

Landing Station EF151SS

This is a single button flush mounting stainless steel station located adjacent to the lift on all intermediate landings
Dimensions: H 215 mm x W 110 mm x D 2 mm
Back Box: H 185 mm x W 78 mm x D 70 mm

⑤

Final Exit Storet Station FES300

This is a stainless steel flush mounting station. Includes a button & LED for each landing station. The Evacuation Switch is located behind the cover, open with a standard EN81 Triangular key
Dimensions:
Panel: H 415 mm x W 208 mm x D 2 mm
Back Box: H 385 mm x W 178 mm x D 70 mm